

## COMMODITY DESCRIPTION

H.S. No	Item No	Description	Unit	Quantity
		Digital Homogenizer	set	1

**A. Model :** JSHR-270D

**B. Product Description :** Digital Homogenizer

**C. Manufacturer / Origin :** JS Research Inc. / Korea

**D. Application :**

JSHR-270D Digital Homogenizer can rapidly homogenize, disperse and emulsify samples in 1 ml ~ 2,500 ml of liquid depending on the dispersing tool. During operation suspended material is drawn into the core of the dispersing tool by a rotor turning speed up to 27,000 rpm. The material repeatedly cycle through narrow slits of rotor and stator where it is rapidly sheared and disintegrated by high shear. Homogenizer can be used for disruption of tissue samples in biotechnology (plant or animal tissues such as muscle, liver, ligament), sample preparation in medicine, enzymatic treatment in the food industry as well as various application in pharmaceutical, cosmetic, paint, petro chemical, and other industrial applications.

**E. Photo**



JSHR-270D Digital Homogenizer

## F. Feature

### Controller

- ✓ Advanced microprocessor Digital Fuzzy Controller.
- ✓ Easy-to-use Jog Dial for quick and convenient setting of stirring speed.
- ✓ Easy-to-Read FND display
- ✓ Rugged, solid and chemical-proof control panel surface

### Construction

- ✓ Compact and handy design to fit all applications.
- ✓ Main body made by aluminum casting with durable ABS Plastic.
- ✓ Easy-to-Replace one-touch Dispersing Tool

### Performance

- ✓ Speed Range from 2,000 to 27,000 rpm
- ✓ Stirring Capacity Max. Volume 2,500 ml H<sub>2</sub>O
- ✓ State of the Art fine fabrication of rotor and stator.

### Safety

- ✓ OVER LOAD PROTECTION

## G. Specifications

Speed Range	2,000 to 27,000 rpm (w/o load)
Max. Volume	Max. 2,500 ml H <sub>2</sub> O
Motor Rating (Input/Output)	400 / 300 Watt
Speed Control	Stepless
Display	3 Digit FND
Safety	Over Heat Protection
Power Consumption	400 Watt
Material	Aluminum casting and ABS Plastic
Control	Digital Fuzzy Control with Jog Dial Independent ON/OFF Switch
Usable Dispersing Tool	∅ 8 mm / ∅ 10 mm / ∅ 18 mm / ∅ 25 mm Stator
Extension Arm	∅ 12.7 mm x L 250 mm
Electrical Requirement	120 ± 10% VAC, 60Hz, 1-Phase 230 ± 10% VAC, 50/60Hz, 1-Phase
Plug Configuration	CEE 7/7 Schuko or BS 1363

Shipping Dims. (W x D x H) 280 x 280 x 120 mm, Carton

Net Weight 1.5 kg

Shipping Weight 2.3 kg

#### H. Standard Accessories


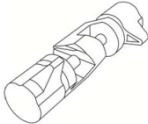
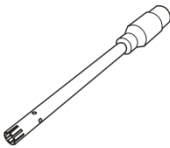
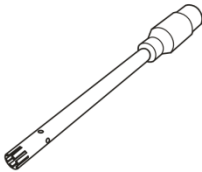
Instruction Manual : 1 EA

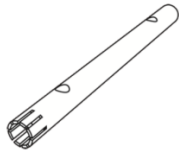
Warranty Card : 1 EA

#### I. Ordering Information

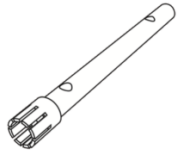
Art No.	Descriptions
JSHR-270D	Digital Homogenizer, 27,000 rpm 230 VAC 50/60Hz

#### J. Options & Accessories

Component	Art. No.	Description
	PHA-04S	Standard Plate Stand 25 X 37Cm Plate with Rod and Silicon Pad
	PHA-05C	Clamp, up to Ø23mm Rod
	PHA-T0680	Dispersing Tool, Ø6.1mm Rotor, Ø8mm Stator
	PHA-T710	Dispersing Tool, Ø7.5mm Rotor, Ø10mm Stator



**PHA-T1218**      Dispersing Tool, Ø12.7mm Rotor, Ø18mm Stator



**PHA-T1725**      Dispersing Tool, Ø17.0mm Rotor, Ø25mm Stator

---

#### **K. Warranty**

1 Year full coverage warranty